

SERIES U

SINGLE STAGE LOW INTENSITY
INFRARED HEATERS



SUPERIOR
RADIANT PRODUCTS

SRP®



55°F
13°C

65°F
18°C
AIR
TEMPERATURE

75°F
24°C
FLOOR
TEMPERATURE

SERIES UA/UX/UXR SINGLE STAGE LOW INTENSITY INFRARED HEATERS

Featuring the best overall performance in the industry

Model UA - Heavy duty industrial/commercial infrared heater with a built in low voltage option.

Model UX - Features an enclosed burner design further enhancing all of the great features of the UA for hard service applications.

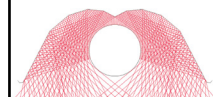
Model UXR - Includes all of the features in a Model UX plus a potted module, sealed burner housing and heat-treated aluminized tube for harsh environments. Stainless Steel housing available. CSA approved for outdoor use.

- Rates 40,000 to 220,000 BTU/HR
- Separated Controls Compartment
- Self Diagnostic Ignition Module
- 100% Parabolic Aluminum Reflectors
- Heavy Duty Couplings
- PSC Blower Motor
- Direct Spark Ignition
- 24v Direct Wire for Thermostat
- Jet Stream Burner
- Vented or Unvented

Model UXR



100% EFFICIENT
REFLECTOR
ON ALL MODELS



Model UA



Model UX

SAVING ENERGY FOR FUTURE GENERATIONS
WWW.SUPERIORRADIANT.COM

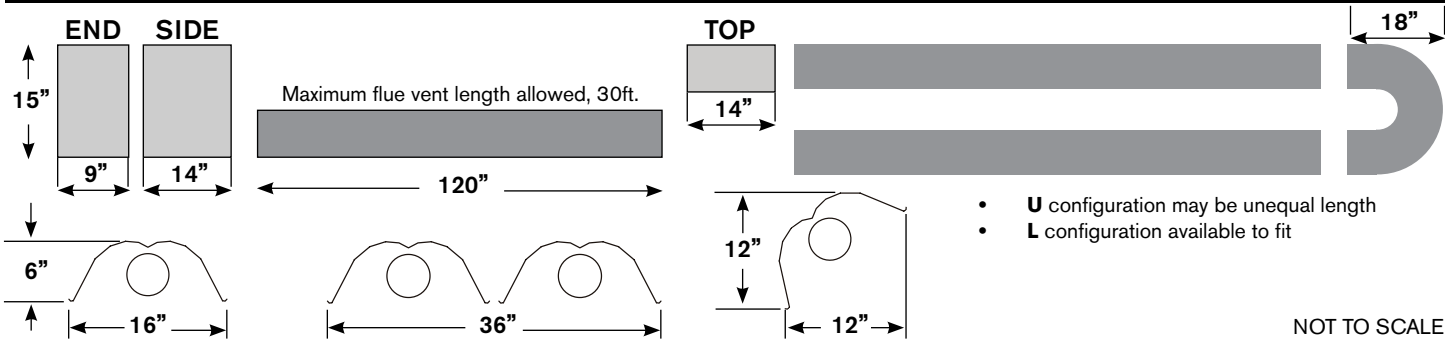
SPECIFICATIONS

SERIES UA/UX/UXR SINGLE STAGE INFRARED HEATERS

| MODELS | RATE BTU/HR | MIN. LENGTH | MAX. LENGTH | | COMPLETE HEATER WEIGHTS (lbs) | | |
|-----------|-------------|-------------|-------------|---|-------------------------------|-----|--------|
| | | | | | Length (ft.) | UA | UX/UXR |
| UA/UX/UXR | NG or LPG | (ft.) | (ft.) | Includes special configurations, please see I/O manual for complete details. *NG only | | | |
| 40 | 40,000 | 10 | 20 | | 10 | 78 | 85 |
| 60 | 60,000 | 15* - 20 | 30 | | 15 | 118 | 125 |
| 80 | 80,000 | 20 | 30 | | 20 | 119 | 126 |
| 100 | 100,000 | 20 | 30 | | 30 | 155 | 162 |
| 125 | 125,000 | 30 | 50 | | 40 | 205 | 212 |
| 150 | 150,000 | 40 | 60 | | 50 | 242 | 251 |
| 175 | 175,000 | 50 | 60 | | 60 | 277 | 284 |
| 205 | 205,000 | 60 | 70 | | 70 | 327 | 334 |
| 220 | 220,000 | 60 | 70 | | | | |

| STANDARD EQUIPMENT INCLUDES | OPTIONAL EQUIPMENT | ELECTRICAL RATING | GAS CONNECTION |
|---|---|---------------------------------|---|
| <ul style="list-style-type: none"> Burner housing assembly Aluminized combustion tube with gasket Combustion air inlet collar Turbulators when required All tube, reflectors, couplings, end caps and hanging accessories per specified length | <ul style="list-style-type: none"> U or L bends for specific layouts Side reflector and brackets Lower shield and brackets Thermostats, 24v or 120v Termination vent Hot rolled, aluminized or S/S tube | 120 VAC 60 Hz 1A plug connector | 1/2" NPT |
| | | TUBE DIAMETER | MINIMUM GAS INLET |
| | | Combustion air 4" Flue 4" | Natural gas 5.0" W.C. LPG gas 11.5" W.C. |

DIMENSIONS (inches)



CLEARANCES TO COMBUSTIBLES (inches)

| MODEL | UA/UX/UXR 60 | | | UA/UX/UXR 100 | | | UA/UX/UXR 125 | | | UA/UX/UXR 175 | | | UA/UX/UXR 205 | | | UA/UX/UXR 220 | | |
|-----------------------|--------------|------|-------|---------------|------|-------|---------------|------|-------|---------------|------|-------|---------------|------|-------|---------------|------|-------|
| | Top | Side | Below | Top | Side | Below | Top | Side | Below | Top | Side | Below | Top | Side | Below | Top | Side | Below |
| Straight - Horizontal | 2 | 25 | 58 | 2 | 30 | 67 | 4 | 33 | 71 | 6 | 40 | 78 | 6 | 44 | 80 | 6 | 46 | 83 |
| Straight - 45° Tilt | 4 | 4-46 | 50 | 4 | 4-58 | 67 | 6 | 4-63 | 70 | 8 | 4-67 | 74 | 8 | 4-72 | 78 | 8 | 4-77 | 81 |
| U-Tube Horizontal | 2 | 25 | 59 | 2 | 30 | 71 | 4 | 34 | 74 | 6 | 40 | 78 | 6 | 45 | 82 | 6 | 46 | 88 |

- Other layout configurations are approved
- Side reflectors and lower shields are available
- Lower clearances are allowable at 25' from burner
- See installation manual for complete information

Visit our website for I/O manual, specifications, and submittal data.



SUPERIOR
RADIANT PRODUCTS

Superior Radiant Products Ltd.
563 Barton Street
Stoney Creek, ON L8E 5S1 Canada

1 800 527 HEAT(4328) | tel 1 905 664 8274 | fax 1 905 664 8846
sales@superiorradiant.com | www.superiorradiant.com



Superior Radiant Products Inc.
315 N Madison Street
Fortville, IN 46040 USA

DISTRIBUTOR

SAVING ENERGY FOR FUTURE GENERATIONS